



LM-8B/10A CNC Slant Bed Lathe w/ FANUC Oi-TD Controller



Standard Features:

- ◆ FANUC OiTD controller
- ◆ 3-jaw hydraulic chuck (soft & hard jaw-1 set each)
- ◆ Servo turret (cap. 12T)
- ◆ Fully enclosed splash guard
- ◆ Working light
- ◆ Warning light
- ◆ Hydraulic system
- ◆ Coolant system
- ◆ Auto. lubrication system
- ◆ Tool kit
- ◆ Leveling bolt and pad
- ◆ Cutting tool holder (12T); 2 pcs
- ◆ Boring bar holder (12T); 6 pcs
- ◆ Boring bar bushing-1 set
- ◆ Driller bushing-1 set

Starting at: \$75,000



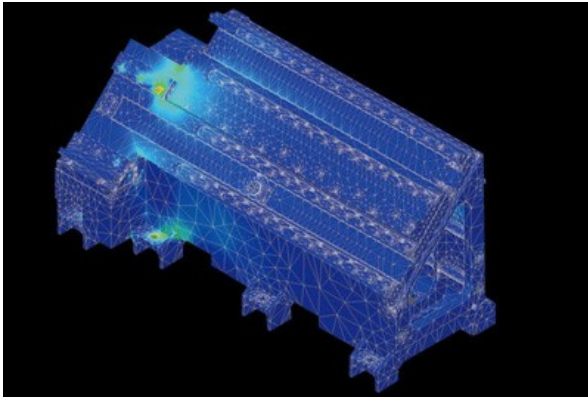
Technical Data

Optional Accessories	<ul style="list-style-type: none"> ◆ Collet chuck & collets ◆ Auto. tool length measurement ◆ Parts catcher (belt conveyor) ◆ Bar feeder ◆ Programmable hydraulic tailstock ◆ Chain type chip conveyor with chip cart 	<ul style="list-style-type: none"> ◆ Auto. door ◆ Oil mist collector ◆ Oil skimmer (disc type) ◆ Gantry robot ◆ Live center ◆ Air conditioner (electrical cabinet) 	◆ Servo turret (cap. 10T)
Capacity LM-8B/10A	<ul style="list-style-type: none"> ◆ Swing over bed ◆ Swing over cross slide ◆ Standard turning diameter ◆ Maximum turning diameter ◆ Maximum turning length ◆ Distance between centers 	<p style="text-align: center;">LM-8B</p> 27.6" ϕ 19.5" ϕ 19.5" ϕ 20.5" ϕ 23.6" ϕ 28" ϕ	<p style="text-align: center;">LM-10A</p> 23" ϕ
Travel	<ul style="list-style-type: none"> ◆ X-axis ◆ Z-axis ◆ Guide way 	10.2" (9.3" + 0.9") 23.6" ϕ " Linear guides	23" ϕ
Spindle	<ul style="list-style-type: none"> ◆ Spindle nose ◆ Spindle bearing diameter ◆ Maximum spindle speed ◆ Spindle bore ◆ Draw tube bore ◆ Chuck size ◆ C-axis minimum index angle 	A2-6 3.9" 4,500 rpm 2.4" ϕ 2" ϕ 8" 3-jaw hydraulic chuck	A2-8 5.1" ϕ 3,500 rpm 3.5" ϕ 3" ϕ 10" 3-jaw hydraulic chuck
Turret	<ul style="list-style-type: none"> ◆ Turret type ◆ Driven way ◆ Number of tools ◆ Tool shank size ◆ Maximum boring bar diameter 	Inch/mm Servo motor 12 0.98" 1.6" ϕ	

Technical Data

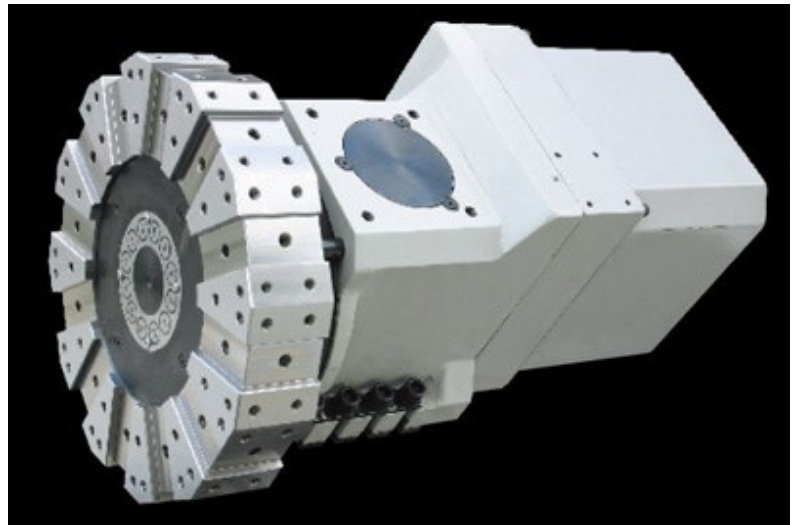
		LM-8A	LM-10A
Tailstock	<ul style="list-style-type: none"> ◆ Driven way ◆ Center MT# ◆ Travel 	Programmable hydraulic MT #4 26.7"	Programmable hydraulic MT#5 26.7"
Feedrate	<ul style="list-style-type: none"> ◆ X/Z axis rapid federate ◆ Cutting federate 	1181 ipm 49.6 ipm	30M/min 1.26M/min
Servo Motor	<ul style="list-style-type: none"> ◆ Spindle motor (P-type) ◆ Spindle speed (full power output) ◆ Axis motor ◆ Servo motor ◆ Power turret motor 	15/20 HP 375 rpm X: 4 HP, Z: 4 HP 1.1 HP	20/25 HP 233 rpm X: 4 HP, Z: 4 HP 1.1 HP
CNC Controller		FANUC OiTD	FANUC OiTD
Coolant Tank	<ul style="list-style-type: none"> ◆ Tank capacity 	250 L	250 L
Motor	<ul style="list-style-type: none"> ◆ Chip conveyor motor ◆ Coolant pump motor ◆ Hydraulic pump motor 	0.25 HP 0.93 HP 2 HP	0.25 HP 0.93 HP 2 HP
Machine Dimensions & Weights	<ul style="list-style-type: none"> ◆ Floor space (L x W x H) ◆ Net weight ◆ Gross weight 	116" x 73" x 79" 10,230 lbs 11,880 lbs	116" x 73" x 79" 10,230 lbs 11,880 lbs

Design and specifications are subject to change without notice



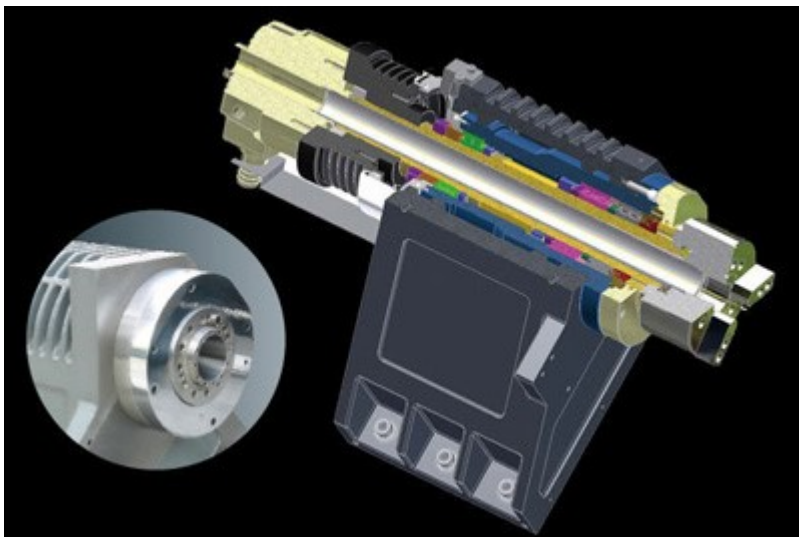
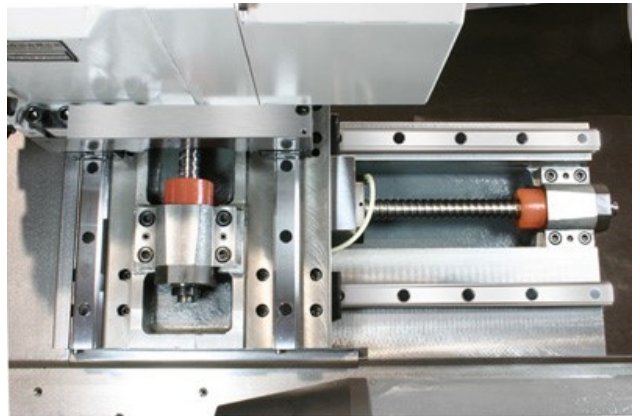
Rugged & sturdy base

High Speed Servo Turret



Programmable Hydraulic Tailstock

High Precision Ball Screw and Linear



Rigid & Precise Spindle

LM-8B/10A CNC Slant Bed Lathe w/ FANUC Oi-TD Controller



Price List-

Stock # **Model:** Victor LM-8B/10A CNC Slant Bed Lathe w/ FANUC Oi-TD **Starting Price:** \$75,000

Optional Accessories:

◆ Collet chuck and collets	P.O.R.
◆ Auto tool length measurement	\$ 3,600
◆ Parts catcher (belt conveyor)	P.O.R.
◆ Auto tool presetter	\$ 3,450
◆ Automatic door	\$ 2,400
◆ Oil mist collector	\$ 2,400
◆ Oil skimmer (disc type)	\$ 750
◆ Live center	\$ 700
◆ Air conditioner (electrical cabinet)	\$ 1,280
◆ Servo turret (10T capacity)	Substitute
◆ 440V transformer	\$ 2,000
◆ Training	P.O.R.

Prices & availability subject to change

Swisset Tool Company
32 Eastgate Park Rd., #2
Belmont, NH 03220

sales@swissettool.com
www.swissettool.com