



## LM-8A CNC Slant Bed Lathe w/ FANUC Oi-TD Controller



### Standard Features:

- ◆ A2-6 spindle nose
- ◆ 15" (380mm) maximum turning diameter
- ◆ 15.4" (390mm) maximum turning length
- ◆ Programmable hydraulic tailstock
- ◆ High precision ball screw & linear guide
- ◆ Dynamic graphic display
- ◆ High speed 12-station servo turret
- ◆ 1,181 ipm rapid traverse
- ◆ 4,500 rpm spindle speed
- ◆ 563 rpm spindle speed of full power output

**Starting at: \$75,000**



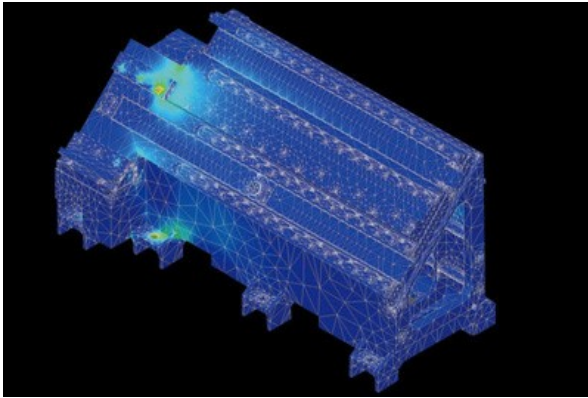
# Technical Data

Standard Accessories	<ul style="list-style-type: none"> <li>◆ 8" 3-jaw hydraulic chuck</li> <li>◆ 12-station servo turret</li> <li>◆ Fully enclosed splash guard</li> <li>◆ Work light</li> <li>◆ Warning light</li> <li>◆ Hydraulic system</li> </ul>	<ul style="list-style-type: none"> <li>◆ Chain type chip conveyor with chip cart</li> <li>◆ Tool kit</li> <li>◆ Leveling bolts and pads</li> <li>◆ Coolant system</li> </ul>	<ul style="list-style-type: none"> <li>◆ Boring bar holders-6 pcs</li> <li>◆ Boring bar bushing –1 set</li> <li>◆ Driller bushing– 1 set</li> <li>◆ Cutting tool holders –6 pcs</li> <li>◆ Auto lubrication system</li> </ul>
Optional Accessories	<ul style="list-style-type: none"> <li>◆ Collet chuck &amp; collets</li> <li>◆ Auto. tool length measurement</li> <li>◆ Parts catcher (belt conveyor)</li> <li>◆ Bar feeder</li> <li>◆ Programmable hydraulic tailstock</li> <li>◆ Chain type chip conveyor with chip cart</li> </ul>	<ul style="list-style-type: none"> <li>◆ Auto. door</li> <li>◆ Oil mist collector</li> <li>◆ Oil skimmer (disc type)</li> <li>◆ Gantry robot</li> <li>◆ Live center</li> <li>◆ Air conditioner (electrical cabinet)</li> </ul>	<ul style="list-style-type: none"> <li>◆ Servo turret (cap. 10T)</li> </ul>
Capacity	<ul style="list-style-type: none"> <li>◆ Swing over bed</li> <li>◆ Swing over cross slide</li> <li>◆ Standard turning diameter</li> <li>◆ Maximum turning diameter</li> <li>◆ Maximum turning length</li> <li>◆ Distance between centers</li> </ul>	<ul style="list-style-type: none"> <li>18.1" <math>\phi</math></li> <li>8.2" <math>\phi</math></li> <li>7.9" <math>\phi</math></li> <li>15" <math>\phi</math></li> <li>15.4" <math>\phi</math></li> <li>20.7" <math>\phi</math></li> </ul>	<ul style="list-style-type: none"> <li>460 mm</li> <li>208 mm</li> <li>200 mm</li> <li>380 mm</li> <li>390 mm</li> <li>525 mm</li> </ul>
Travel	<ul style="list-style-type: none"> <li>◆ X-axis</li> <li>◆ Z-axis</li> <li>◆ Guide way</li> </ul>	<ul style="list-style-type: none"> <li>8.3" (7.9" + 0.4")</li> <li>15.4" <math>\phi</math>"</li> <li>Linear guides</li> </ul>	<ul style="list-style-type: none"> <li>210 mm (200+10)</li> <li>390 mm</li> </ul>
Spindle	<ul style="list-style-type: none"> <li>◆ Spindle nose</li> <li>◆ Spindle bearing diameter</li> <li>◆ Maximum spindle speed</li> <li>◆ Spindle bore</li> <li>◆ Draw tube bore</li> <li>◆ Chuck size</li> </ul>	<ul style="list-style-type: none"> <li>A2-6</li> <li>3.9"</li> <li>4,500 rpm</li> <li>2.4" <math>\phi</math></li> <li>2" <math>\phi</math></li> <li>8" 3-jaw hydraulic chuck</li> </ul>	<ul style="list-style-type: none"> <li>100 mm</li> <li>62 mm</li> <li>52 mm</li> </ul>

# Technical Data

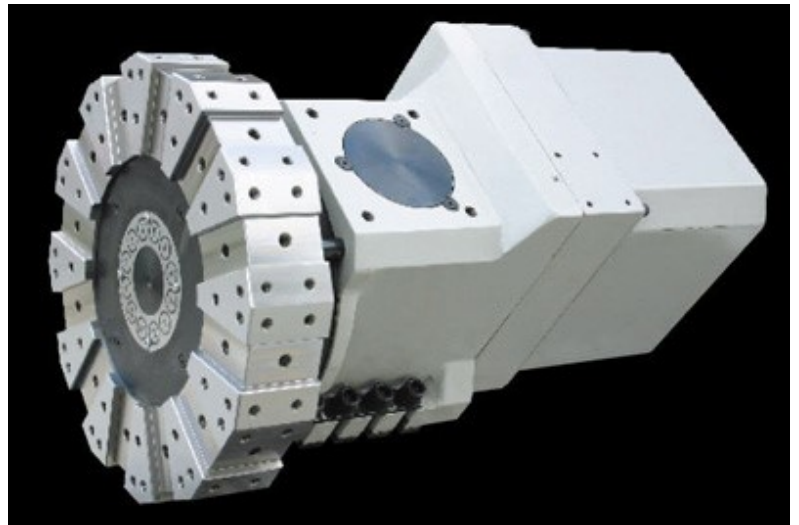
Turret	<ul style="list-style-type: none"> <li>◆ Turret type</li> <li>◆ Driven way</li> <li>◆ Number of tools</li> <li>◆ Tool shank size</li> <li>◆ Maximum boring bar diameter</li> </ul>	Inch/mm Servo motor 12 0.79" 1.26" $\phi$	20 mm 32 $\phi$ mm
Tailstock	<ul style="list-style-type: none"> <li>◆ Driven way</li> <li>◆ Tailstock taper center</li> <li>◆ Travel</li> </ul>	Programmable hydraulic MT #4 17.3"	440 mm
Feedrate	<ul style="list-style-type: none"> <li>◆ X/Z axis rapid federate</li> <li>◆ Cutting feederate</li> </ul>	1181 ipm 49.6 ipm	30M/min 1.26M/min
Servo Motor	<ul style="list-style-type: none"> <li>◆ Spindle motor</li> <li>◆ Spindle speed (full power output)</li> <li>◆ Axis motor</li> <li>◆ Servo motor</li> </ul>	10/12 HP 563 rpm X: 1.2 kW 0.67 HP	9/11 kW Z: 41.8 kW 500 W
Coolant Tank	<ul style="list-style-type: none"> <li>◆ Tank capacity</li> </ul>	150 L	
Motor	<ul style="list-style-type: none"> <li>◆ Chip conveyor motor</li> <li>◆ Coolant pump motor</li> <li>◆ Hydraulic pump motor</li> </ul>	0.25 HP 0.93 HP 2 HP	188 W 700 W 1510 W
Machine Dimensions & Weights	<ul style="list-style-type: none"> <li>◆ Floor space (L x W x H)</li> <li>◆ Net weight</li> <li>◆ Gross weight</li> </ul>	120" x 90" x 89" 6,600 lbs 7,700 lbs	3,050x 2,290x 2,260 mm 3,000 kgs 3,500 kgs

**Design and specifications are subject to change without notice**



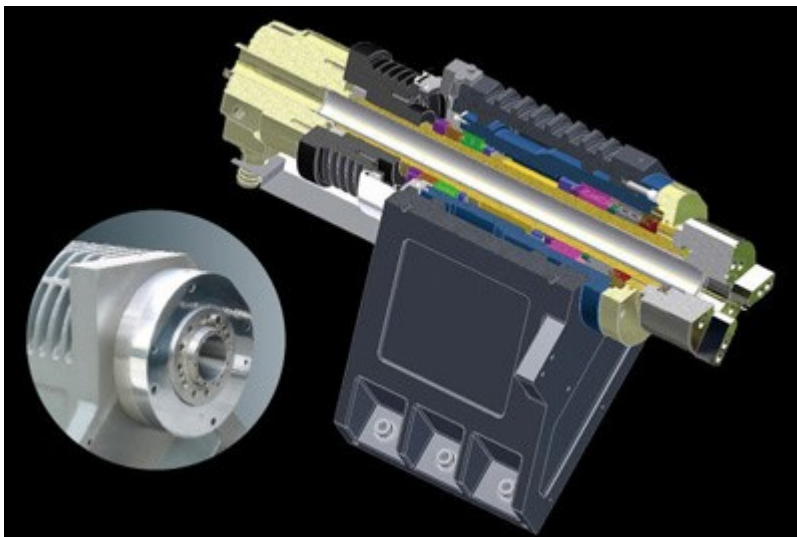
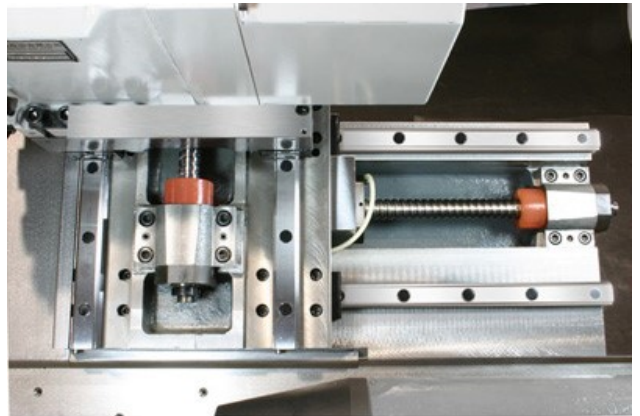
Rugged & sturdy base

High Speed Servo Turret



Programmable Hydraulic Tailstock

High Precision Ball Screw and Linear



Rigid & Precise Spindle

## LM-8A CNC Slant Bed Lathe w/ FANUC Oi-TD Controller



### Price List-

Stock # **C15158** Model: Victor LM-8A CNC Slant Bed Lathe w/ FANUC Oi-TD

Price: \$75,000

### Optional Accessories:

◆ Collet chuck and collets	P.O.R.
◆ Auto tool length measurement	\$ 3,600
◆ Parts catcher (belt conveyor)	P.O.R.
◆ Auto tool presetter	\$ 3,450
◆ Automatic door	\$ 2,400
◆ Oil mist collector	\$ 2,400
◆ Oil skimmer (disc type)	\$ 750
◆ Live center	\$ 700
◆ Air conditioner (electrical cabinet)	\$ 1,280
◆ Servo turret (10T capacity)	Substitute
◆ 440V transformer	\$ 2,000
◆ Training	P.O.R.

Prices & availability subject to change

Swisset Tool Company  
32 Eastgate Park Rd., #2  
Belmont, NH 03220

sales@swissettool.com  
www.swissettool.com