

LM-6 CNC Slant Bed Lathe w/ FANUC Oi-TD Controller



Standard Features:

- ◆ A2-6 spindle nose
- ◆ 15" (380mm) maximum turning diameter
- ◆ 16.1" (409mm) maximum turning length
- ◆ Programmable hydraulic tailstock
- ◆ High precision ball screw & linear guide
- ◆ Dynamic graphic display
- ◆ High speed 12-station servo turret
- ◆ 1,181 ipm rapid traverse
- ◆ 6,000 rpm spindle speed
- ◆ 750 rpm spindle speed of full power output

Starting at: \$69,800

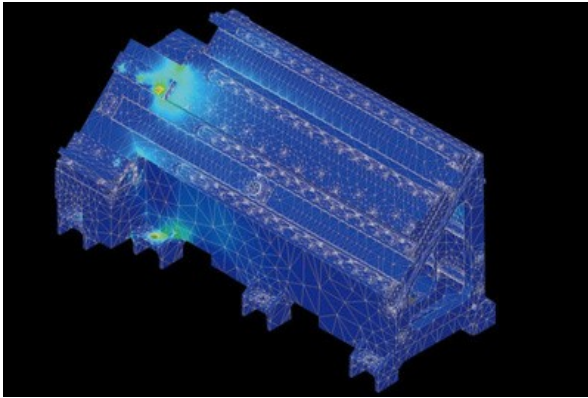
Technical Data

Standard Accessories	<ul style="list-style-type: none"> ◆ 6" 3-jaw hydraulic chuck ◆ 12-station servo turret ◆ Fully enclosed splash guard ◆ Work light ◆ Warning light ◆ Hydraulic system 	<ul style="list-style-type: none"> ◆ Chain type chip conveyor with chip cart ◆ Tool kit ◆ Leveling bolts and pads ◆ Coolant system 	<ul style="list-style-type: none"> ◆ Boring bar holders-6 pcs ◆ Boring bar bushing –1 set ◆ Driller bushing– 1 set ◆ Cutting tool holders –6 pcs ◆ Auto lubrication system
Optional Accessories	<ul style="list-style-type: none"> ◆ Collet chuck & collets ◆ Auto tool length measurement ◆ Parts catcher (belt conveyor) ◆ Auto tool presetter ◆ Auto door ◆ Oil mist collector 	<ul style="list-style-type: none"> ◆ Oil skimmer (disc type) ◆ Live center ◆ Air conditioner (electrical cabinet) ◆ Servo turret (cap. 10T) 	
Capacity	<ul style="list-style-type: none"> ◆ Swing over bed ◆ Swing over cross slide ◆ Standard turning diameter ◆ Maximum turning diameter ◆ Maximum turning length ◆ Distance between centers 	<p>18.1" ϕ</p> <p>8.2" ϕ</p> <p>7.9" ϕ</p> <p>15" ϕ</p> <p>16.1" ϕ</p> <p>20.7" ϕ</p>	<p>460 mm</p> <p>208 mm</p> <p>200 mm</p> <p>380 mm</p> <p>409 mm</p> <p>525 mm</p>
Travel	<ul style="list-style-type: none"> ◆ X-axis ◆ Z-axis ◆ Guide way 	<p>8.3" (7.9" + 0.4")</p> <p>16.1" ϕ"</p> <p>Linear guides</p>	<p>210 mm (200+10)</p> <p>409 mm</p>
Spindle	<ul style="list-style-type: none"> ◆ Spindle nose ◆ Spindle bearing diameter ◆ Maximum spindle speed ◆ Spindle bore ◆ Draw tube bore ◆ Chuck size 	<p>A2-5</p> <p>3.5"</p> <p>6,000 rpm</p> <p>2.2" ϕ</p> <p>1.77" ϕ</p> <p>6" 3-jaw hydraulic chuck</p>	<p>88.9 mm</p> <p>55.9 mm</p> <p>45 mm</p>

Technical Data

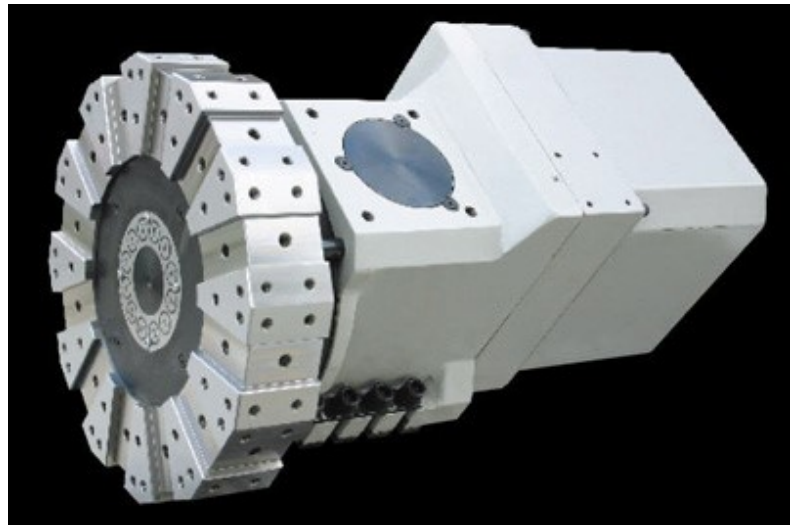
Turret	<ul style="list-style-type: none"> ◆ Turret type ◆ Driven way ◆ Number of tools ◆ Tool shank size ◆ Maximum boring bar diameter 	Inch/mm Servo motor 12 0.79" .98"ø	20 mm 24.9ø mm
Tailstock	<ul style="list-style-type: none"> ◆ Driven way ◆ Tailstock taper center ◆ Travel 	Programmable hydraulic MT #4 17.3"	440 mm
Feedrate	<ul style="list-style-type: none"> ◆ X/Z axis rapid federate ◆ Cutting feederate 	1181 ipm 49.6 ipm	30M/min 1.26M/min
Servo Motor	<ul style="list-style-type: none"> ◆ Spindle motor ◆ Spindle speed (full power output) ◆ Axis motor ◆ Servo motor 	10/12 HP 750 rpm X: 1.6HP/Z: 2.4HP 0.67 HP	9/11 kW X: 1.2 kW /Z: 1.8 kW 500 W
Coolant Tank	<ul style="list-style-type: none"> ◆ Tank capacity 	150 L	
Motor	<ul style="list-style-type: none"> ◆ Chip conveyor motor ◆ Coolant pump motor ◆ Hydraulic pump motor 	0.25 HP 0.93 HP 2 HP	188 W 700 W 1510 W
Machine Dimensions & Weights	<ul style="list-style-type: none"> ◆ Floor space (L x W x H) ◆ Net weight ◆ Gross weight 	120" x 90" x 89" 6,600 lbs 7,700 lbs	3,050x 2,290x 2,260 mm 3,000 kgs 3,500 kgs

Design and specifications are subject to change without notice



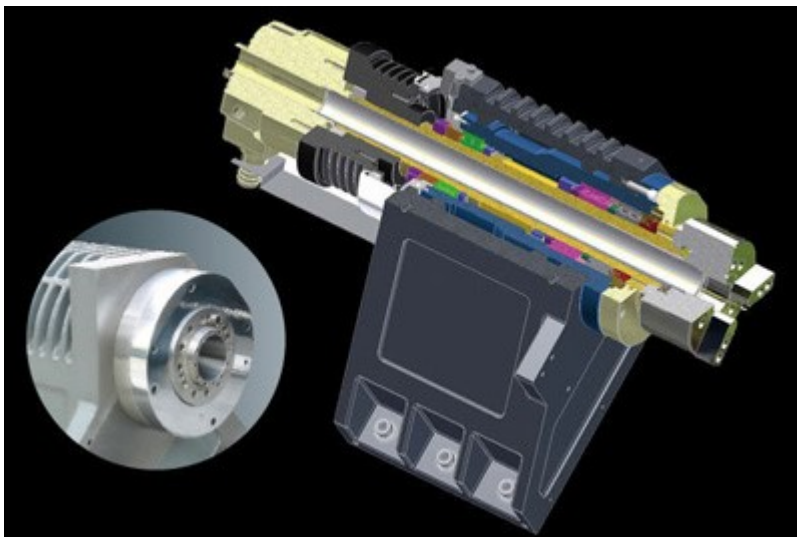
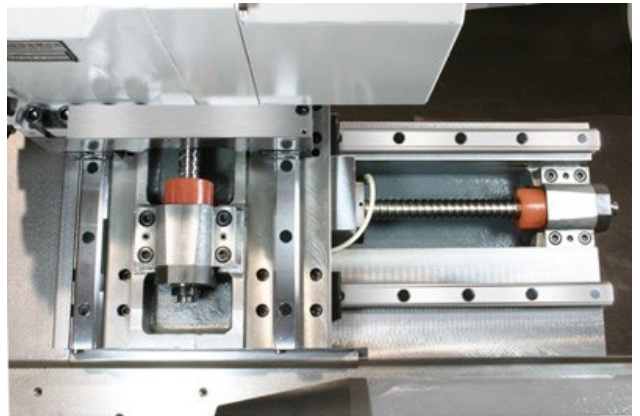
Rugged & sturdy base

High Speed Servo Turret



Programmable Hydraulic Tailstock

High Precision Ball Screw and Linear



Rigid & Precise Spindle

LM-6 CNC Slant Bed Lathe w/ FANUC Oi-TD Controller



Price List-

Stock # C15156 Model: Victor LM-6 CNC Slant Bed Lathe w/ FANUC Oi-TD

Price: \$69,800

Optional Accessories:

◆ Collet chuck and collets	P.O.R.
◆ Auto tool length measurement	\$ 3,600
◆ Parts catcher (belt conveyor)	P.O.R.
◆ Auto tool presetter	\$ 3,450
◆ Automatic door	\$ 2,400
◆ Oil mist collector	\$ 2,400
◆ Oil skimmer (disc type)	\$ 750
◆ Live center	\$ 700
◆ Air conditioner (electrical cabinet)	\$ 1,280
◆ Servo turret (10T capacity)	Substitute
◆ 440V transformer	\$ 2,000
◆ Training	P.O.R.

Prices & availability subject to change

Swisset Tool Company
32 Eastgate Park Rd., #2
Belmont, NH 03220

sales@swissettool.com
www.swissettool.com